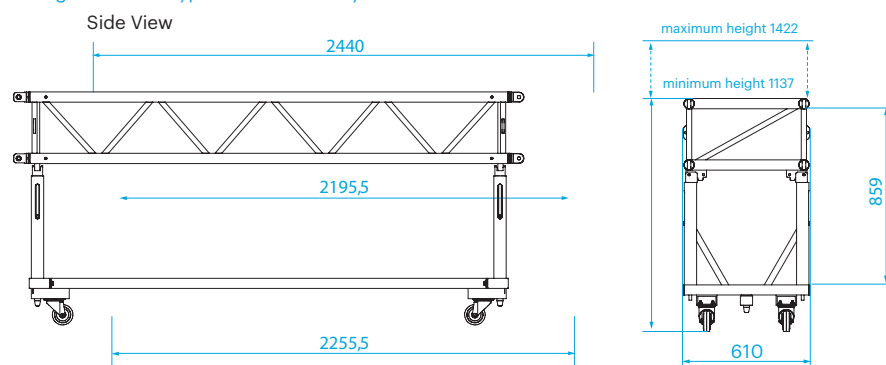


PRODUCT DATA SHEET

The S36PRF and S36PRA have measurements of 360 mm height and 610 mm width and are available in different lengths. The truss has fixed cross and linear braces on the topside; the diameter is 50x4 mm for the main chords and 25x3 mm for the diagonal members and cross members. The truss can be stacked with or without the dolly. Both the truss and the dolly types are compatible and can be interchanged.

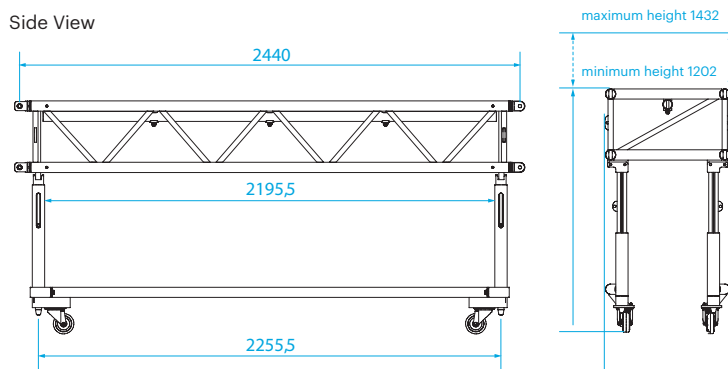
Flexible cross members in the topside of the S36PRA make it possible to mount the fixtures or bars at any required place. These braces are equipped with M12 sliding slots to facilitate placing. The stackable dollies guarantee easy handling; one person can do stacking, tipping and connection of the legs. The dolly has foldable bumpers to improve side protection.

PreRigTruss Fixed type - S36PRF + Dolly - S36PRD2



The pin-fork connection can rotate to create vertical and horizontal corners, making it possible to build spans as well as goalpost or grid configurations.

PreRigTruss Flexible type - S36PRA + WingDolly - S36PRD1



Technical Specifications - PreRigTruss

Types	Pre rig
Alloy	EN AW 6082 T6
Main Chords	50 x 4 mm
Diagonal Members	25 x 3 mm
Coupling System	Rotatable Pin/fork

Structural data can be found at www.prolYTE.com

CODE	DESCRIPTION	WEIGHT
S36PRF-L122	PreRigTruss, fixed, length 4ft	28 kg
S36PRF-L244	PreRigTruss, fixed, length 8ft	36 kg
S36PRF-L305	PreRigTruss, fixed, length 10ft	43 kg
S36PRA-L122	PreRigTruss, flexible, length 4ft	23 kg
S36PRA-L244	PreRigTruss, flexible, length 8ft	35 kg
S36PRA-L305	PreRigTruss, flexible, length 10ft	42 kg
S36PRD1-L122	Dolly for S36PR truss, wing type, length 4ft	12.5 kg
S36PRD1-L244	Dolly for S36PR truss, wing type, length 8ft	13.5 kg
S36PRD1-L305	Dolly for S36PR truss, wing type, length 10ft	14.5 kg
S36PRD2-L122	Dolly for S36PR truss, length 4ft	34 kg
S36PRD2-L244	Dolly for S36PR truss, length 8ft	38 kg
S36PRD2-L305	Dolly for S36PR truss, length 10ft	40 kg
S36PRA-T-122	extra tube for PRT 2 4ft incl bolts and nuts	2.4 kg
S36PRA-T-244	extra tube for PRT 2 8ft incl bolts and nuts	4 kg
S36PRA-T-305	extra tube for PRT 2 10ft incl bolts and nuts pins to connect trusses (4 per type needed)	4.9 kg
ACC-LP-16	LOCKING PIN FOR CCS6-HINGE	
CCS7-705	SPIGOT R-SPRING, CCS 700	
ACC-LP-10	Removable pin with clip for legs dollies	

S36PR PRE RIG SERIE TRUSS



S36 PRT- Allowable Loading

SPAN		Uniformly Distributed Load		DEFLECTION		MAXIMUM ALLOWABLE POINT LOADS												WEIGHT	
		UDL				CPL		DEFLECTION		TPL		QPL		FPL					
m	ft	kg/m	lbs/ft	mm	inch	kgs	lbs	mm	inch	kgs	lbs	kgs	lbs	kgs	lbs	kgs	lbs		
4	13.1	1200.6	807.8	13	0.5	2436.5	5377.3	11	0.4	1827.3	4033.0	1218.2	2688.6	1015.2	2240.5	96.7	213.0		
5	16.4	770.2	518.3	21	0.8	1925.6	4249.8	17	0.7	1444.2	3187.3	962.8	2124.9	802.3	1770.7	122.9	270.7		
6	19.7	526.9	354.5	30	1.2	1580.6	3488.5	24	1.0	1185.5	2616.4	790.3	1744.2	658.6	1453.5	149.1	328.4		
7	23.0	380.1	255.8	41	1.6	1330.5	2936.4	33	1.3	997.9	2202.3	665.3	1468.2	554.4	1223.5	175.3	386.1		
8	26.2	284.9	191.7	53	2.1	1139.6	2515.2	44	1.7	854.7	1886.4	569.8	1257.6	474.8	1048.0	201.5	443.8		
9	29.5	219.6	147.8	67	2.7	988.3	2181.1	55	2.2	741.2	1635.8	494.1	1090.5	411.8	908.8	227.7	501.5		
10	32.8	172.9	116.3	83	3.3	864.5	1908.1	69	2.7	648.4	1431.0	432.3	954.0	360.2	795.0	253.9	559.3		
11	36.1	138.4	93.1	101	4.0	760.9	1679.4	84	3.3	570.7	1259.5	380.5	839.7	317.1	699.7	280.1	617.0		
12	39.4	112.1	75.4	120	4.7	672.4	1484.0	101	4.0	504.3	1113.0	336.2	742.0	280.2	618.3	306.3	674.7		
13	42.6	91.6	61.6	141	5.5	595.5	1314.3	119	4.7	446.6	985.7	297.8	657.1	248.1	547.6	332.5	732.4		
14	45.9	75.4	50.7	163	6.4	527.7	1164.6	139	5.5	395.8	873.5	263.9	582.3	219.9	485.3	358.7	790.1		
15	49.2	62.3	41.9	187	7.4	467.2	1031.1	161	6.3	350.4	773.3	233.6	515.6	194.7	429.6	384.9	847.8		
16	52.5	51.6	34.7	213	8.4	412.6	910.6	185	7.3	309.5	683.0	206.3	455.3	171.9	379.4	411.1	905.5		
17	55.8	42.7	28.7	241	9.5	362.9	801.0	211	8.3	272.2	600.7	181.5	400.5	151.2	333.7	437.3	963.2		
18	59.0	35.3	23.7	270	10.6	317.3	700.2	239	9.4	238.0	525.2	158.6	350.1	132.2	291.8	463.5	1020.9		
19	62.3	29.0	19.5	301	11.8	275.1	607.1	269	10.6	206.3	455.3	137.5	303.5	114.6	253.0	489.7	1078.6		
20	65.6	23.6	15.9	333	13.1	235.8	520.4	302	11.9	176.8	390.3	117.9	260.2	98.2	216.8	515.9	1136.3		

1 inch = 25,4 mm | 1m = 3.28 ft | 1 lbs = 0,453 kg

WHEN DOLLIES ARE NOT MOUNTED ON THE TRUSS THE LOADING COULD BE INCREASED WITH 12 KG PER METER



- Tuv certification only valid for loading table above.
- Loading figures are only valid for static loads.
- Loading figures are only valid for single spans with supports at both ends.
- All static systems, other than single spans, need an individual structural calculation. Please contact a structural engineer or Prolyte for assistance.
- Loading figures are calculated according to and in full compliance with European standards (Eurocode).
- The self-weight of the trusses is already taken into account.
- Loading figures are only valid for the cross sectional orientation of the truss as shown by the icon in the loading table.
- The interaction between bending moment and shear force at the connection point is already taken into account.
- Truss spans can be assembled from different truss lengths.
- Read the manual before assembling, using and loading the truss.