

Serie Lucciola	Serie Architectural	Serie Halled	Serie Hyperion						Serie Cyclorama
30W Pinspot	50W Fresnel, PC, Profile	85W Downlight	100W Fresnel, PC, Profile	200W Fresnel, PC, Profile	300W Fresnel, PC, Profile	300W Followspot	700W Fresnel, PC, Profile	700W Followspot	300W Cyclorama

#### SOURCE

- 85W LED COB
- Source life expectancy: > 50.000 h

	Luminous flux	Colour rendering		
		CRI	TLCI	TM-30
WW	9'917 lm	>97	97	94
CW	10'549 lm			
NW	11'314 lm			

#### CONTROL

- Protocols: DMX512, RDM (DALI optional)
- Local potentiometer
- Reversible Graphics Display
- Standby-shutdown Display
- DMX channels 1 / 2 / 3 channel

#### OPTICS

- Beam angle: 29°, 46°, 72°
- 120mm High-quality pc aluminum coated optics
- Focus: fix

#### CONNECTION

- Power: PowerCON In/Out panel connectors
- DMX: XLR 5-pole In/Out panel connectors

#### OPTIONS

- Springs suspension version
- Yokes suspension version

#### COMPLIANCE

- CE
- EN 60598-1; EN 60598-2-17
- SSL Licensing Program
- Manufactured in Italy with Quality System ISO 9001:2015

#### SOFTWARE FUNCTION

- ESD: 8 or 16bit extra soft dimming
- 2 selectable dimmer curves
- Delay in turning on and off
- PWM LED 500Hz-20KHz
- Led boost
- Storage and factory recovery
- Upgradable Firmware via DMX/USB tool

#### THERMAL MANAGEMENT

- High efficiency heat sink system without fan
- No heat load from LED engine towards electronic and vice-versa avoiding the risk of failure due to overheating
- Ta max 40°C

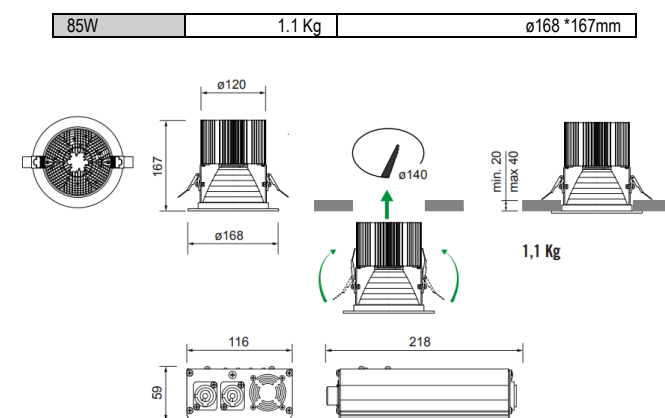
#### HOUSING

- Highly resistant body in extruded aluminum
- Finishing: Black
- IP 20

#### ELECTRICAL

- Power supply: 100-240 V – 50/60 Hz
- Power consumption 60/100 W
- PF>0.94/230VAC PF>0.98/115VAC at full load

#### DIMENSIONS



Serie Lucciola	Serie Architectural	Serie Halled	Serie Hyperion						Serie Cyclorama
30W Pinspot	50W Fresnel, PC, Profile	85W Downlight	100W Fresnel, PC, Profile	200W Fresnel, PC, Profile	300W Fresnel, PC, Profile	300W Followspot	700W Fresnel, PC, Profile	700W Followspot	300W Cyclorama

## DMX PERSONALITIES

White			
	1CH	2CH	3CH
	8 BIT	8 BIT	16 BIT
1 ch	DIMMER	DIMMER	DIMMER
2 ch		STROBO	DIMMER FINE
3 ch			STROBO

## LIGHT OUTPUT

4 m	6 m	8 m	10 m	12 m
-----	-----	-----	------	------

Model	Type	CT	CRI	Beam	Lux	Ø Beam	Lux	Ø Beam	Lux	Ø Beam	Lux	Ø Beam	Lux	Ø Beam	(measure at)
HALLED 85	WW	3000K	97	29	1375	2,1	611	3,1	343	4,1	220	5,1	152	6,2	3000K
				46	865	3,4	384	5,1	216	6,7	138	8,4	96	10,1	
				72	480	5,8	213	8,6	120	11,5	76	14,4	53	17,3	
	NW	4000K	97	29	1463	2,1	650	3,1	365	4,1	234	5,1	162	6,2	4000K
				46	920	3,4	408	5,1	230	6,7	147	8,4	102	10,1	
				72	511	5,8	227	8,6	127	11,5	81	14,4	56	17,3	
	CW	5600K	97	29	1568	2,1	696	3,1	392	4,1	250	5,1	174	6,2	5600K
				46	986	3,4	438	5,1	246	6,7	157	8,4	109	10,1	
				72	547	5,8	243	8,6	136	11,5	87	14,4	60	17,3	

## What is in the box

- Fixture
- 2m H05RN-F cable with powerCON TRUE1 female cable connector
- Safety instructions

## Accessories

### FIXTURE

- **HAL MOL:** Spring clips set, recessed type (3 clips)
- **PSU 1x85 HRD XLR:** Power supply (single) for 1 unit, with Hi-Resolution dimming module, DMX via XLR connectors, Wireless-ready
- **PSU 4x85 HRD SCR:** Power supply (multi) for 2-4 units, with Hi-Resolution dimming module, DMX via Screw-Terminal connectors, Wireless-ready

### MOVEMENT SYSTEM

- Not applicable

Serie Lucciola	Serie Architectural	Serie Halled	Serie Hyperion						Serie Cyclorama
30W Pinspot	50W Fresnel, PC, Profile	85W Downlight	100W Fresnel, PC, Profile	200W Fresnel, PC, Profile	300W Fresnel, PC, Profile	300W Followspot	700W Fresnel, PC, Profile	700W Followspot	300W Cyclorama

**PHOTOMETRIC DATA**

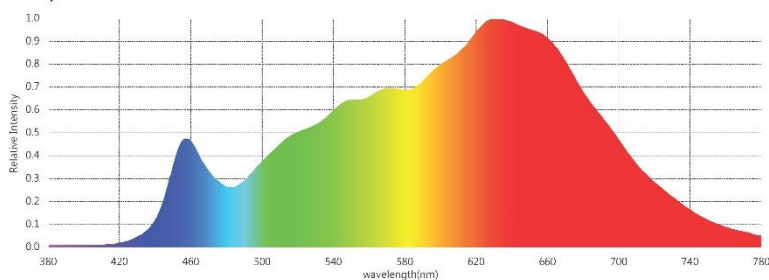
Conditions during measurements:

- LED: WW
- Test in hemi-anechoic room
- Temperature: 16°C
- Relative humidity: 61%
- Distance: 2m

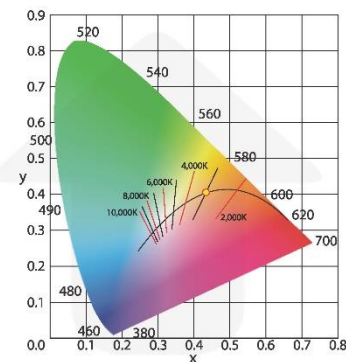
Parameters

CIE_x	0.4334
CIE_y	0.4058
CIE_u'	0.2475
CIE_v'	0.5215
CCT	3075 K
Duv	0.0012
CRI (Ra)(R1~R8)	98
CRI (Re) (R1-R15)	97
CQS	97
TLCI(Qa)	99
GAI	58
TM-30-18 Rf	94
TM-30-18 Rg	99
Illuminance	1,285 lux
Foot Candle	119.4 fc
PPFD (400-700nm)	22.01 μmol/m <sup>2</sup> s
λp	631 nm
λD	582 nm
Purity (Pe)	50 %
SP Ratio	1.5
Circadian Stimulus	0.60
Circadian Light	1,363
Flicker Percentage	1 %
Flicker Index	0.00
Flicker Frequency	136 Hz

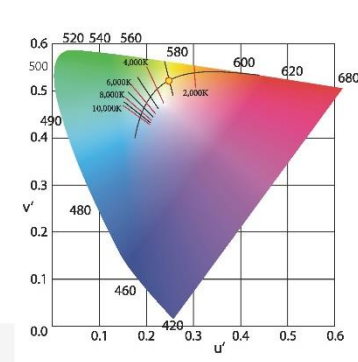
Spectrum



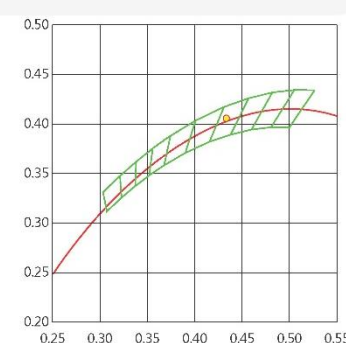
CIE 1931



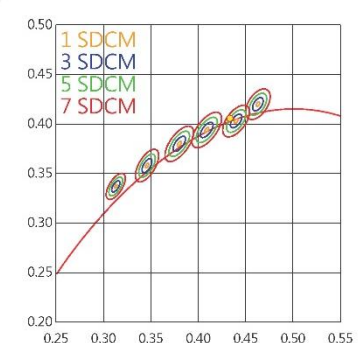
CIE 1976



C78.377 - 2017



IEC-SDCM



CRI (Re) (R1-R15)

R1	99	R6	98	R11	99
R2	99	R7	99	R12	81
R3	96	R8	98	R13	100
R4	99	R9	97	R14	97
R5	98	R10	96	R15	98

TM-30-18

